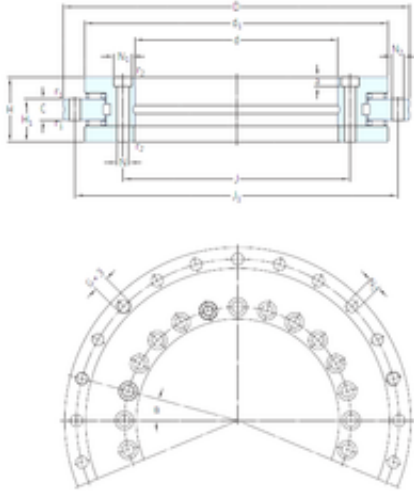




NTN DRIVESHAFT ANDERSON, INC.



NRT 80 A Bearing 2D drawings and 3D CAD models

SKF NRT 80 A thrust roller bearings

Bearing No. NRT 80 A

Size	80x146x12 mm
Bore Diameter	80 mm
Outer Diameter	146 mm
Width	12 mm
d	80 mm
D	146 mm
C	12 mm
H	35 mm
Suitable rotary table	200
a	4 mm
d1	130 mm
r1 min.	0,3 mm
r2 min.	0,3 mm
H1	23,35 mm
J	92 mm
N	5,6 mm
N1	10 mm
Thread (G)	M5
J1	138 mm
N2	4,6 mm
Weight	2,4 Kg
Dynamic load rating radial (C)	55 kN
Dynamic load rating axial (C)	37,5 kN
Static load rating radial (C0)	102 kN
Static load rating axial (C0)	200 kN



NTN DRIVESHAFT ANDERSON, INC.

(Grease) Lubrication Speed	350 r/min
(Oil) Lubrication Speed	700 r/min
Attachment holes nr. Inner ring	12
Attachment holes nr. Outer ring	12
Removal thread nr.	3
Pitch nr. x a	12x30
Retaining bolts. Size	M5