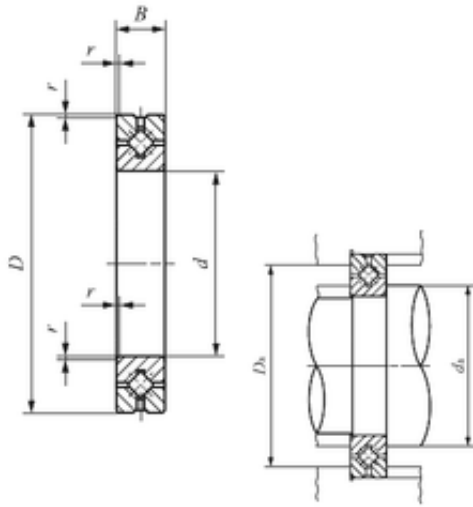




NTN DRIVESHAFT ANDERSON, INC.

200 mm x 260 mm x 25 mm IKO CRBH 20025
A thrust roller bearings



Bearing No. CRBH 20025 A

Size	200x260x25 mm
Bore Diameter	200 mm
Outer Diameter	260 mm
Width	25 mm
d	200 mm
D	260 mm
B	25 mm
r min.	1 mm
Da	248 mm
da	212 mm
Weight	4 Kg
Basic dynamic load rating (C)	92,3 kN

CRBH 20025 A Bearing 2D drawings and 3D CAD models