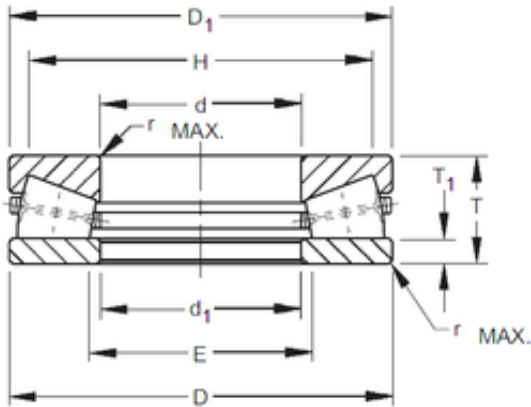




NTN DRIVESHAFT ANDERSON, INC.

Timken S-4055-C thrust roller bearings

Bearing No. S-4055-C



S-4055-C Bearing 2D drawings and 3D CAD models

Size	149.974x299.72x89.692 mm
Bore Diameter	149,974 mm
Outer Diameter	299,72 mm
Width	89,692 mm
d	149,974 mm
D	299,72 mm
T	89,692 mm
r max	3 mm
T1	25,4 mm
d1	154 mm
D1	298,45 mm
E	174,6 mm
H	267,5 mm