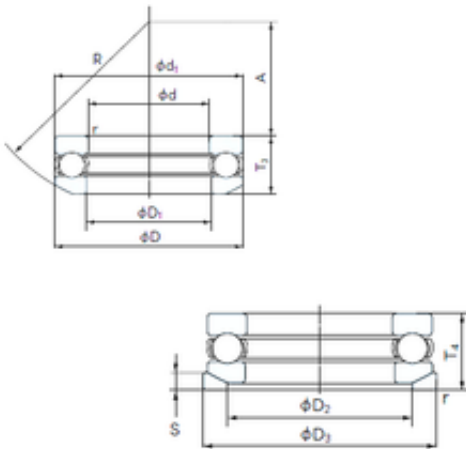




NTN DRIVESHAFT ANDERSON, INC.

NACHI 53217U thrust ball bearings

Bearing No. 53217U



53217U Bearing 2D drawings and 3D CAD models

Size	85x125x37 mm
Bore Diameter	85 mm
Outer Diameter	125 mm
Width	37 mm
d	85 mm
D	125 mm
T	37 mm
d1	125 mm
r min.	1 mm
A	52 mm
D1	88 mm
D2	105 mm
D3	130 mm
R	100 mm
S	11 mm
Weight	1.60 Kg
Basic dynamic load rating (C)	95,5 kN
Basic static load rating (C0)	264 kN
(Grease) Lubrication Speed	1600 r/min