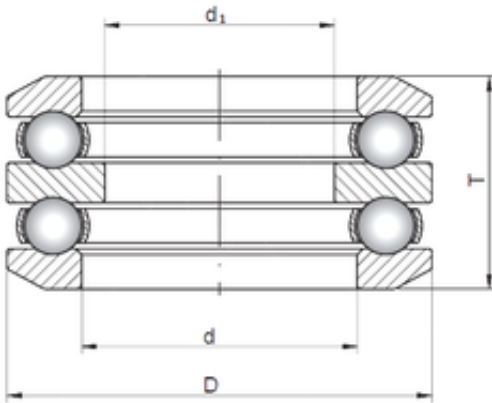




NTN DRIVESHAFT ANDERSON, INC.

ISO 54415 thrust ball bearings



Bearing No. 54415

Size	78x160x123 mm
Bore Diameter	78 mm
Outer Diameter	160 mm
Width	123 mm
d	78 mm
d1	60 mm
D	160 mm
T	123 mm

54415 Bearing 2D drawings and 3D CAD models