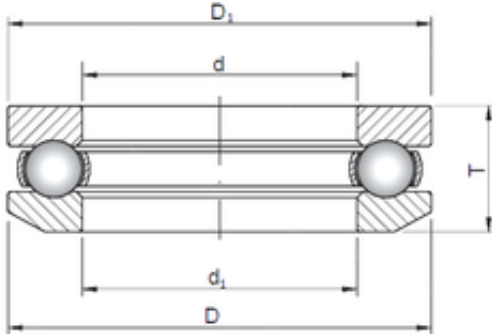




NTN DRIVESHAFT ANDERSON, INC.

ISO 53420 thrust ball bearings



Bearing No. 53420

Bore Diameter	100 mm
Outer Diameter	210 mm
d	100 mm
d1	103 mm
D	210 mm
D1	210 mm
T	90 mm

53420 Bearing 2D drawings and 3D CAD models