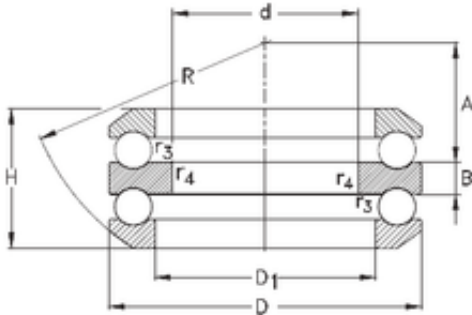




NTN DRIVESHAFT ANDERSON, INC.

70 mm x 150 mm x 19 mm NKE 54317-MP thrust ball bearings



Bearing No. 54317-MP

Size	70x150x95.2 mm
Bore Diameter	70 mm
Outer Diameter	150 mm
Width	95,2 mm
d	70 mm
D	150 mm
H	95,2 mm
r1 min.	1,5 mm
r2 min.	1,5 mm
r3 min.	1 mm
r4 min.	1 mm
A	39 mm
B	19 mm
D1	88 mm
R	112 mm
Weight	6,36 Kg
Basic dynamic load rating (C)	190 kN
Basic static load rating (C0)	425 kN

54317-MP Bearing 2D drawings and 3D CAD models