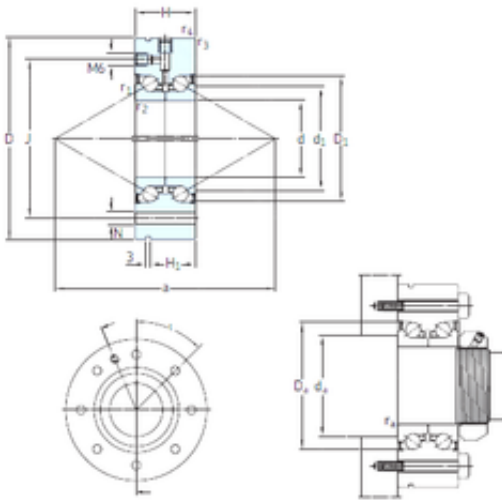




NTN DRIVESHAFT ANDERSON, INC.

SNFA BEAM 30/100/C 7P60 thrust ball bearings

Bearing No. BEAM 30/100/C 7P60



BEAM 30/100/C 7P60 Bearing 2D drawings and 3D CAD models

Size	30x100x38 mm
Bore Diameter	30 mm
Outer Diameter	100 mm
Width	38 mm
d	30 mm
D	100 mm
H	38 mm
a	106 mm
d1	51 mm
r1 min.	0,3 mm
r2 min.	0,3 mm
r3 min.	0,6 mm
r4 min.	0,6 mm
D1	65 mm
H1	30 mm
J	80 mm
N	8,8 mm
Thread (G)	M8
Bolt (G)	8x45 °
da max	47 mm
Da max.	65 mm
ra max.	0,6 mm
Weight	1,65 Kg
Basic dynamic load rating (C)	60 kN
Basic static load rating (C0)	108 kN
Fatigue load limit (Pu)	4



NTN DRIVESHAFT ANDERSON, INC.