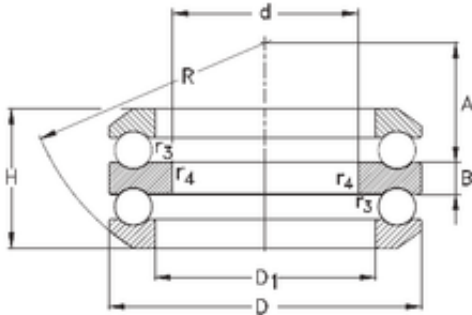




NTN DRIVESHAFT ANDERSON, INC.

75 mm x 155 mm x 19 mm NKE 54318-MP thrust ball bearings



Bearing No. 54318-MP

| | |
|-------------------------------|----------------|
| Size | 75x155x97.1 mm |
| Bore Diameter | 75 mm |
| Outer Diameter | 155 mm |
| Width | 97,1 mm |
| d | 75 mm |
| D | 155 mm |
| H | 97,1 mm |
| r1 min. | 1,5 mm |
| r2 min. | 1,5 mm |
| r3 min. | 1 mm |
| r4 min. | 1 mm |
| A | 36,5 mm |
| B | 19 mm |
| D1 | 93 mm |
| R | 112 mm |
| Weight | 6,86 Kg |
| Basic dynamic load rating (C) | 196 kN |
| Basic static load rating (C0) | 465 kN |

54318-MP Bearing 2D drawings and 3D CAD models