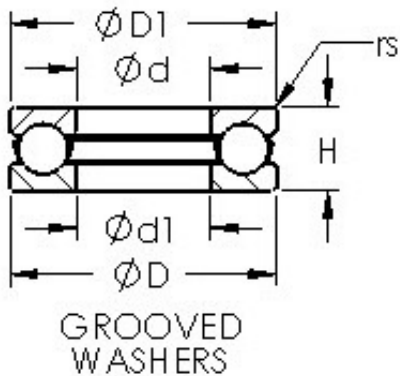




NTN DRIVESHAFT ANDERSON, INC.



AST 51407M thrust ball bearings

Bearing No. 51407M

Bore Diameter	35 mm
Outer Diameter	80 mm
Bearing Type	with grooved raceway(s)
Bore Dia (d)	35.0000
Outer Dia (D)	80.0000
Radius (min) (rs)	1.100
Static Load Rating (Cor)	140,000
Dynamic Load Rating (Cr)	80,500
Max Speed (Grease) (X1000 RPM)	2
Max Speed (Oil) (X1000 RPM)	3
Height (H)	32.0000
Outer Dia. Pilot (D1)	80.0000
Bore Dia. Clearance (d1)	37.0000
Weight (g)	864.00
Material	52100 chrome steel, or equivalent.

51407M Bearing 2D drawings and 3D CAD models