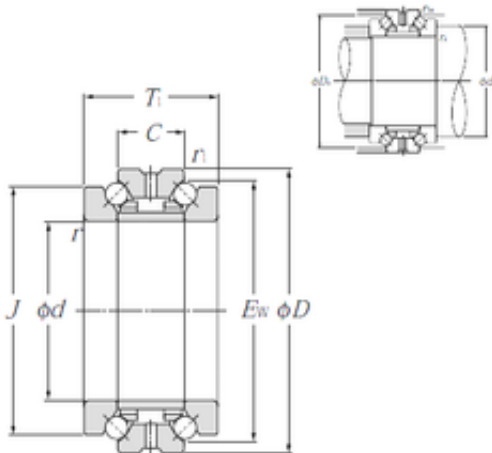




# NTN DRIVESHAFT ANDERSON, INC.

## NTN 562016M thrust ball bearings

Bearing No. 562016M



562016M Bearing 2D drawings and 3D CAD models

Bore Diameter	83 mm
Outer Diameter	113 mm
d	83 mm
D	125 mm
Ew	113 mm
T1	54 mm
C	27 mm
ra1 max.	0,6 mm
r min.	1,1 mm
r1 min.	0,6 mm
J	110 mm
da min.	96,5 mm
Da max.	119 mm
ra max.	1 mm
Weight	2 Kg
Basic dynamic load rating (C)	57,5 kN
Basic static load rating (C0)	178 kN
(Grease) Lubrication Speed	3 300 r/min