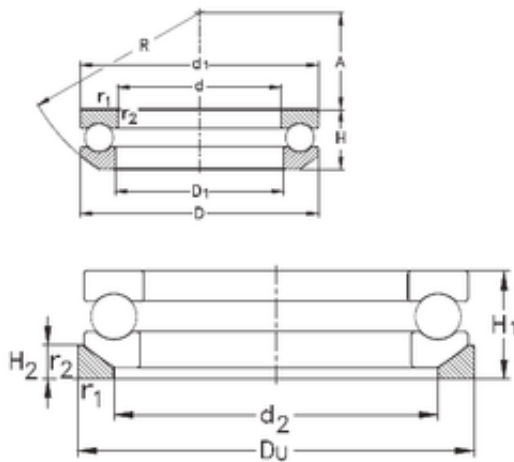




# NTN DRIVESHAFT ANDERSON, INC.

## NKE 53218+U218 thrust ball bearings

Bearing No. 53218+U218



53218+U218 Bearing 2D drawings and 3D CAD models

Size	90x135x38.5 mm
Bore Diameter	90 mm
Outer Diameter	135 mm
Width	38,5 mm
d	90 mm
D	135 mm
H	38,5 mm
d1	135 mm
d2	110 mm
r1 min.	1,1 mm
r2 min.	1,1 mm
A	45 mm
D1	93 mm
H1	42 mm
H2	13,5 mm
R	100 mm
Weight	2,12 Kg
Basic dynamic load rating (C)	120 kN
Basic static load rating (C0)	300 kN