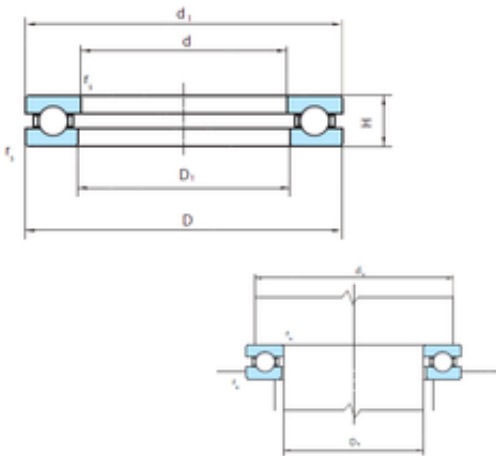




NTN DRIVESHAFT ANDERSON, INC.

PSL 51264 thrust ball bearings

Bearing No. 51264



51264 Bearing 2D drawings and 3D CAD models

Size	320x440x95 mm
Bore Diameter	320 mm
Outer Diameter	440 mm
Width	95 mm
d	320 mm
D	440 mm
H	95 mm
d1	435 mm
r min.	3 mm
D1	325 mm
da min.	392 mm
Da max.	368 mm
ra max.	2,5 mm
Weight	45,5 Kg
Basic dynamic load rating (C)	614 kN
Basic static load rating (C0)	2495 kN
(Grease) Lubrication Speed	470 r/min