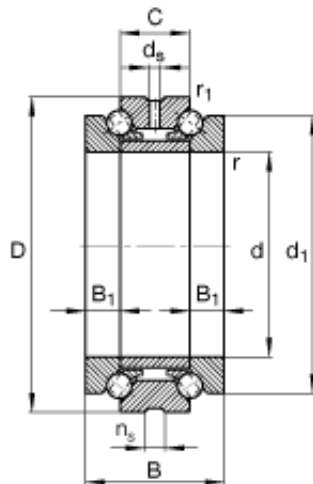




# NTN DRIVESHAFT ANDERSON, INC.



45 mm x 75 mm x 38 mm FAG 234409-M-SP  
thrust ball bearings

Bearing No. 234409-M-SP

234409-M-SP Bearing 2D drawings and 3D CAD models

Size	45x75x38 mm
Bore Diameter	45 mm
Outer Diameter	75 mm
Width	38 mm
d	45 mm
D	75 mm
B	38 mm
B <sub>1</sub>	9,5 mm
C	19 mm
D <sub>a</sub>	70 mm / Tolerance: H12
d <sub>1</sub>	65 mm
d <sub>a</sub>	57,5 mm / Tolerance: h12
d <sub>s</sub>	3,2 mm
n <sub>s</sub>	4,8 mm
r <sub>1 min</sub>	0,15 mm
r <sub>a max</sub>	1 mm
r <sub>a1 max</sub>	0,15 mm
r <sub>min</sub>	1 mm
	60 ° / Angle
m	0,486 kg / Weight
C <sub>a</sub>	25000 N / Dynamic load rating (axial)
C <sub>0a</sub>	67000 N / Static load rating (axial)



## NTN DRIVESHAFT ANDERSON, INC.

$n_{G\text{ Fett}}$	7500 1/min / Limiting speed for grease lubrication
$n_{G\text{ Oil}}$	10000 1/min / Limiting speed for minimal quantity oil lubrication