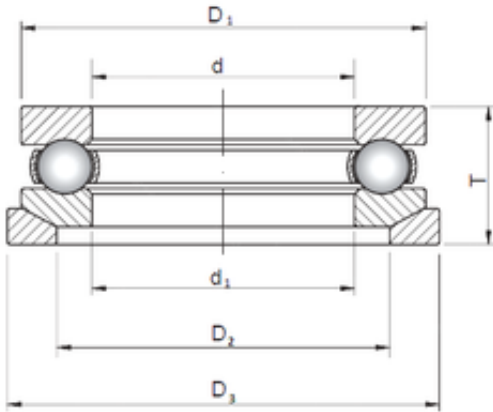




# NTN DRIVESHAFT ANDERSON, INC.

## ISO 53322U+U322 thrust ball bearings

Bearing No. 53322U+U322



|                |        |
|----------------|--------|
| Bore Diameter  | 110 mm |
| Outer Diameter | 190 mm |
| d              | 110 mm |
| d1             | 113 mm |
| D              | 190 mm |
| D1             | 190 mm |
| T              | 72 mm  |
| D2             | 150 mm |
| D3             | 195 mm |

53322U+U322 Bearing 2D drawings and 3D CAD models