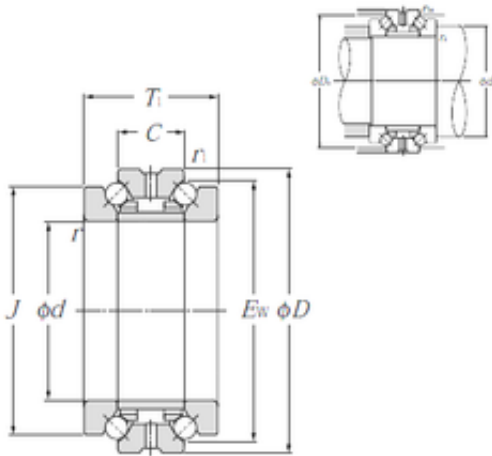




# NTN DRIVESHAFT ANDERSON, INC.

## NTN 562060M thrust ball bearings

Bearing No. 562060M



562060M Bearing 2D drawings and 3D CAD models

Bore Diameter	310 mm
Outer Diameter	418 mm
d	310 mm
D	460 mm
Ew	418 mm
T1	190 mm
C	95 mm
ra1 max.	1,5 mm
r min.	4 mm
r1 min.	1,5 mm
J	406 mm
da min.	364 mm
Da max.	448 mm
ra max.	3 mm
Weight	91,8 Kg
Basic dynamic load rating (C)	475 kN
Basic static load rating (C0)	2 170 kN
(Grease) Lubrication Speed	830 r/min