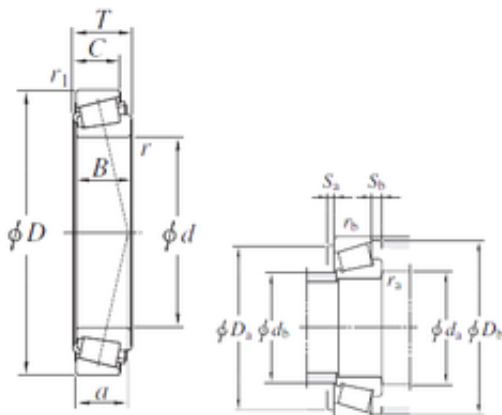




NTN DRIVESHAFT ANDERSON, INC.

149,225 mm x 236,538 mm x 56,642 mm KOYO
82587/82931 tapered roller bearings



Bearing No. 82587/82931

Size	149.225x236.538x57.15 mm
Bore Diameter	149,225 mm
Outer Diameter	236,538 mm
Width	57,15 mm
d	149,225 mm
D	236,538 mm
T	57,15 mm
B	56,642 mm
C	44,45 mm
a	53,4 mm
r min.	3,6 mm
r1 min.	3,2 mm
da min.	162 mm
Da min	211 mm
Da max.	225 mm
db max.	169 mm
ra max.	3,6 mm
rb max.	3,2 mm
Db	224 mm
Weight	9,07 Kg
Basic dynamic load rating (C)	419 kN
Basic static load rating (C0)	728 kN
Calculation factor (e)	0,44
Calculation factor (Y0)	0,75

82587/82931 Bearing 2D drawings and 3D CAD models