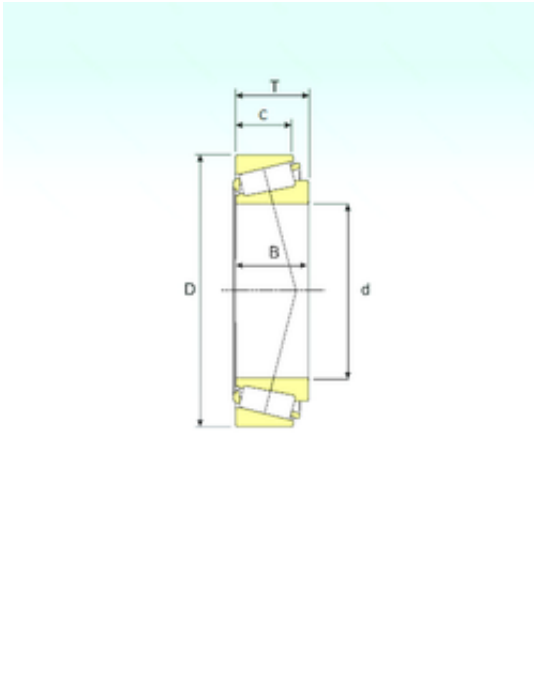




# NTN DRIVESHAFT ANDERSON, INC.



45,618 mm x 82,931 mm x 25,4 mm ISB  
25590/25523 tapered roller bearings

Bearing No. 25590/25523

Size	45.618x82.931x26.988 mm
Bore Diameter	45,618 mm
Outer Diameter	82,931 mm
Width	26,988 mm
d	45,618 mm
D	82,931 mm
T	26,988 mm
B	25,4 mm
C	22,225 mm
Weight	0,55 Kg
Basic dynamic load rating (C)	79 kN
Basic static load rating (C0)	103 kN
(Grease) Lubrication Speed	6480 r/min

25590/25523 Bearing 2D drawings and 3D CAD models