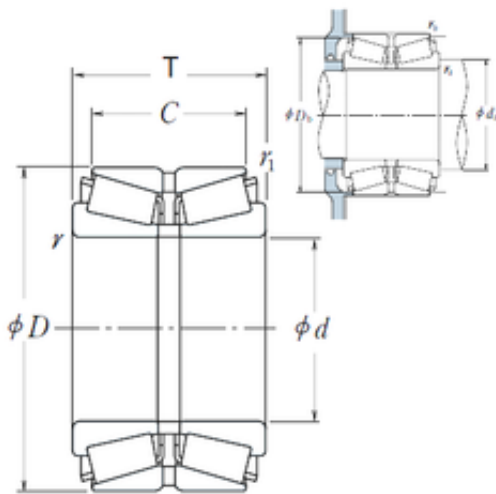




NTN DRIVESHAFT ANDERSON, INC.

NSK 250KBE3801+L tapered roller bearings



Bearing No. 250KBE3801+L

Size	250x380x98 mm
Bore Diameter	250 mm
Outer Diameter	380 mm
Width	98 mm
d	250 mm
D	380 mm
T	98 mm
C	87 mm
r min.	4 mm
r1 min.	1 mm
da min.	271 mm
Db min.	365 mm
ra max.	3 mm
rb max.	1 mm
Weight	35,5 Kg
Basic dynamic load rating (C)	795 kN
Basic static load rating (C0)	1460 kN
(Grease) Lubrication Speed	600 r/min
(Oil) Lubrication Speed	900 r/min
Calculation factor (e)	0,4
Calculation factor (Y0)	1,6
Calculation factor (Y2)	2,5

250KBE3801+L Bearing 2D drawings and 3D CAD models