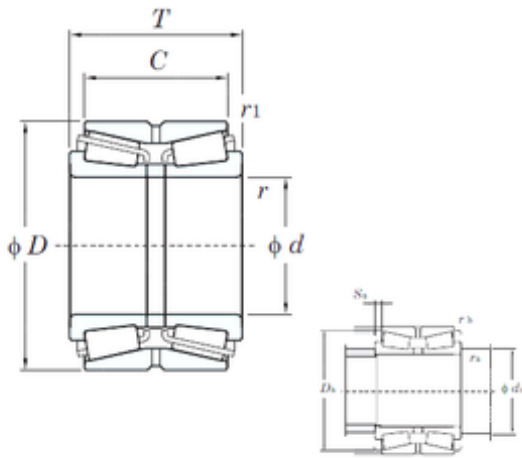




NTN DRIVESHAFT ANDERSON, INC.



KOYO 46234 tapered roller bearings

Bearing No. 46234

Size	170x260x67 mm
Bore Diameter	170 mm
Outer Diameter	260 mm
Width	67 mm
d	170 mm
D	260 mm
T	67 mm
C	60 mm
r min.	3 mm
r1 min.	1 mm
da min.	184 mm
Da min	243 mm
ra max.	2,5 mm
rb max.	1 mm
Weight	11,4 Kg
Basic dynamic load rating (C)	382 kN
Basic static load rating (C0)	642 kN
(Grease) Lubrication Speed	1000 r/min
(Oil) Lubrication Speed	1400 r/min
Calculation factor (e)	0,33
Calculation factor (Y0)	1,98
Bearing No.	46234
r(min)	3
r1(min)	1
Cr	480
C0r	642

46234 Bearing 2D drawings and 3D CAD models



NTN DRIVESHAFT ANDERSON, INC.

Cu	41.7
Grease lub.	1000
Oil lub.	1400
da(min)	184
Da(min)	254
Sa(min)	3.5
ra(max)	2.5
rb(max)	1
e	0.33
Y2	2.03
Y3	3.02
Y0	1.98
(Refer.)Mass(kg)	11.4