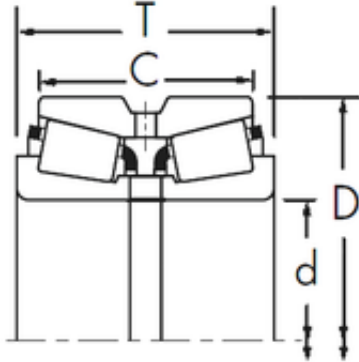




NTN DRIVESHAFT ANDERSON, INC.

Timken 441/432D tapered roller bearings



Bearing No. 441/432D

Size	35x95.25x61.915 mm
Bore Diameter	35 mm
Outer Diameter	95,25 mm
Width	61,915 mm
d	35 mm
D	95,25 mm
T	61,915 mm
C	50,8 mm
R	3,5 mm
r	0,8 mm

441/432D Bearing 2D drawings and 3D CAD models