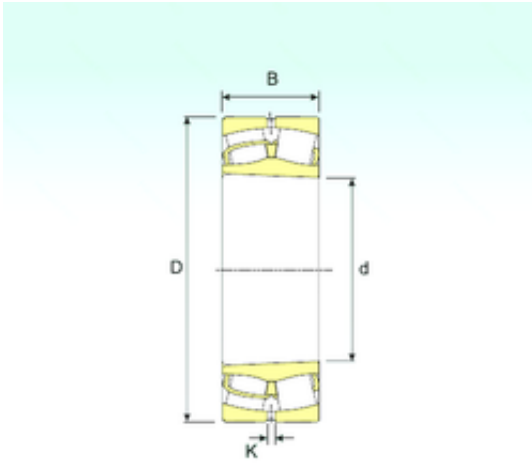




NTN DRIVESHAFT ANDERSON, INC.



22308 K Bearing 2D drawings and 3D CAD models

40 mm x 90 mm x 33 mm ISB 22308 K spherical roller bearings

Bearing No. 22308 K

Size	40x90x33 mm
Bore Diameter	40 mm
Outer Diameter	90 mm
Width	33 mm
d	40 mm
D	90 mm
B	33 mm
C	33 mm
K	3 mm
Weight	1,05 Kg
Basic dynamic load rating (C)	147 kN
Basic static load rating (C0)	137 kN
(Grease) Lubrication Speed	6120 r/min