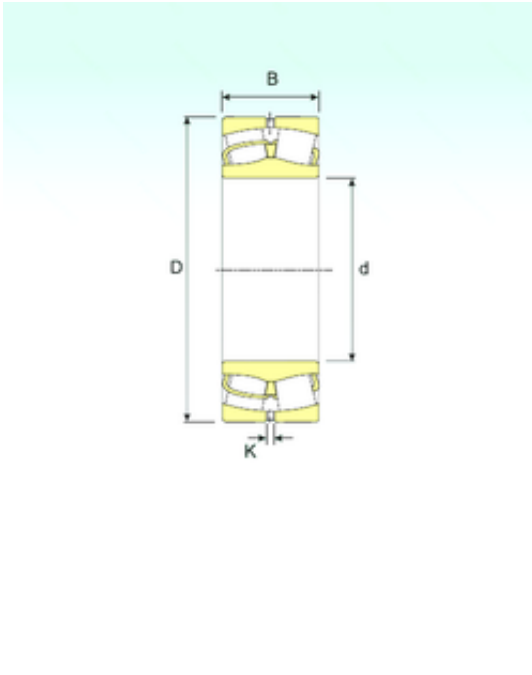




NTN DRIVESHAFT ANDERSON, INC.



23130 Bearing 2D drawings and 3D CAD models

150 mm x 250 mm x 80 mm ISB 23130 spherical roller bearings

Bearing No. 23130

Size	150x250x80 mm
Bore Diameter	150 mm
Outer Diameter	250 mm
Width	80 mm
d	150 mm
D	250 mm
B	80 mm
C	80 mm
K	6 mm
Weight	16 Kg
Basic dynamic load rating (C)	813 kN
Basic static load rating (C0)	1176 kN
(Grease) Lubrication Speed	1989 r/min