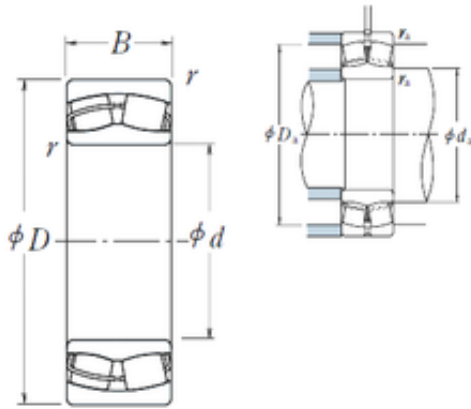




NTN DRIVESHAFT ANDERSON, INC.



160 mm x 240 mm x 60 mm NSK 23032CDE4 spherical roller bearings

Bearing No. 23032CDE4

23032CDE4 Bearing 2D drawings and 3D CAD models

| | |
|-------------------------------|---------------------------|
| Size | 160x240x60 mm |
| Bore Diameter | 160 mm |
| Outer Diameter | 240 mm |
| Width | 60 mm |
| d | 160 mm |
| D | 240 mm |
| B | 60 mm |
| C | 60 mm |
| r min. | 2,1 mm |
| da min. | 172 mm |
| da max | 179 mm |
| Da min | 216 mm |
| Da max. | 228 mm |
| ra max. | 2 mm |
| Weight | 9,66 Kg |
| Basic dynamic load rating (C) | 540 kN |
| Basic static load rating (C0) | 955 kN |
| (Grease) Lubrication Speed | 1300 r/min |
| (Oil) Lubrication Speed | 1700 r/min |
| Calculation factor (e) | 0,22 |
| Calculation factor (Y0) | 2,9 |
| Calculation factor (Y2) | 4,5 |
| Category | Spherical Roller Bearings |
| Inventory | 0.0 |
| Manufacturer Name | NSK |



NTN DRIVESHAFT ANDERSON, INC.

| | |
|---------------------------|--|
| Minimum Buy Quantity | N/A |
| Weight / Kilogram | 9.5 |
| Product Group | B04311 |
| Internal Clearance | C0-Medium |
| Mounting Method | Shaft Mount |
| Rolling Element | Spherical Roller Bearing |
| Bore Profile | Straight |
| Cage Material | Steel |
| Enclosure | Open |
| Number of Rows of Rollers | Double Row |
| Relubricatable | Yes |
| Withdrawal Sleeve | Not Applicable |
| Inch - Metric | Metric |
| Long Description | 160MM Straight Bore; 240MM Outside Diameter; 60MM Width; C0-Medium Clearance; Shaft Mount; Double Row of Spherical Roller Bearings; Steel Cage Material; Open Enclosure; Relubricatable |
| Category | Spherical Roller Bearing |
| UNSPSC | 31171510 |
| Harmonized Tariff Code | 84823080 |
| Noun | Bearing |
| Keyword String | Spherical |
| Manufacturer URL | http://www.nskamericas.com |
| Manufacturer Item Number | 23032CDE4 |
| Weight / LBS | 9.5 |
| Outside Diameter | 9.449 Inch 240 Millimeter |
| Bore | 6.299 Inch 160 Millimeter |
| Width | 2.362 Inch 60 Millimeter |
| Adapter Part Number | Not Applicable Inch Not Applicable Millimeter |



NTN DRIVESHAFT ANDERSON, INC.

| | |
|------------------------------|---------------------------|
| bore diameter: | 160 mm |
| maximum rpm: | 1700 RPM |
| outside diameter: | 240 mm |
| operating temperature range: | Maximum of +200 ° C |
| overall width: | 60 mm |
| cage material: | Steel |
| bore type: | Straight |
| bearing material: | Steel |
| outer ring type: | Not Split |
| cage type: | Inner Ring Guided |
| internal clearance: | C0 |
| precision rating: | RBEC 1 (ISO Class Normal) |
| closure type: | Open |
| finish/coating: | Uncoated |
| lubrication hole type: | Lubrication Groove & Hole |
| outer ring width: | 60 mm |
| dynamic load capacity: | 540000 N |
| fillet radius: | 2.1 mm |
| static load capacity: | 955000 N |
| series: | 230 |
| Y3 | 3 |
| hidYobi | 23032CDE4 |
| LangID | 1 |
| Y1 | 3 |
| D_ | 240 |
| Y2 | 4.5 |
| Macha rpm | 0 |
| B_ | 60 |
| da min | 172 |
| hidTable | ecat_NSSPHR |
| Oil rpm | 1700 |



NTN DRIVESHAFT ANDERSON, INC.

| | |
|------------|------------|
| Y0 | 2.9 |
| mass | 9.66 |
| GRS rpm | 1300 |
| ra | 2 |
| TSR rpm | 2400 |
| C0 | 955 |
| DE_ | 220.551 |
| X0 | 1 |
| Prod_Type3 | SRB_CTB_CB |
| X1 | 1 |
| X2 | 0.67 |
| SIR | 24 |
| e | 0.22 |
| DA_ | 19.5 |
| bomp | 23032CDE4 |
| Z_ | 27 |
| ALP2 | 30 |
| ALP1 | 8 |
| ALP3 | 0 |
| D_a max | 228 |
| D_a min | 216 |
| yobi | 23032CDE4 |
| ALPHA_ | 0.148 |
| SDM_ | 201.265 |
| r | 2.1 |
| KBRG | 2321 |
| SBRG | 30 |
| DI_ | 181.979 |