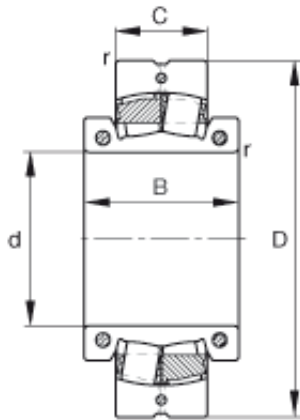




NTN DRIVESHAFT ANDERSON, INC.



9 1/2 inch x 440 mm x 210 mm FAG 231S.908
spherical roller bearings

Bearing No. 231S.908

231S.908 Bearing 2D drawings and 3D CAD models

Size	241.3x440x144 mm
Bore Diameter	241,3 mm
Outer Diameter	440 mm
Width	144 mm
d	241,3 mm
d	9 1/2 inch
D	440 mm
C	144 mm
B	210 mm
r_{\min}	4 mm
m	112 kg / Weight
C_r	1880000 N / Dynamic load rating (radial)
e	0,3
Y_1	2,28
Y_2	3,39
C_{0r}	3050000 N / Static load rating (radial)
Y_0	2,23
n_G	580 1/min / Limiting speed
C_{ur}	218000 N / Fatigue limit load, radial
$F_{a \max}$	32000 N / Permissible axial load, for inner ring without axial abutment
M_i	120 Nm / Tightening torque



NTN DRIVESHAFT ANDERSON, INC.

	per clamping screw
--	--------------------