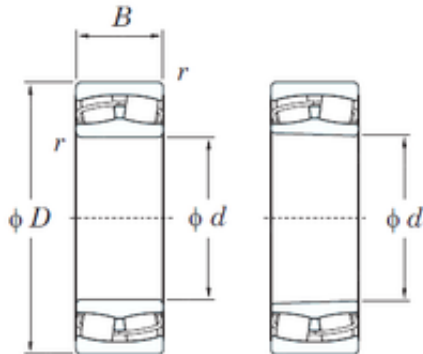




NTN DRIVESHAFT ANDERSON, INC.

140 mm x 225 mm x 68 mm KOYO 23128RH
spherical roller bearings



Bearing No. 23128RH

Size	140x225x68 mm
Bore Diameter	140 mm
Outer Diameter	225 mm
Width	68 mm
d	140 mm
D	225 mm
B	68 mm
C	68 mm
r min.	2,1 mm
da min.	152 mm
Da max.	213 mm
ra max.	2 mm
Weight	10,6 Kg
Basic dynamic load rating (C)	565 kN
Basic static load rating (C0)	940 kN
(Grease) Lubrication Speed	1400 r/min
(Oil) Lubrication Speed	1900 r/min
Calculation factor (e)	0,28
Calculation factor (Y0)	2,4
Calculation factor (Y1)	2,45

23128RH Bearing 2D drawings and 3D CAD models