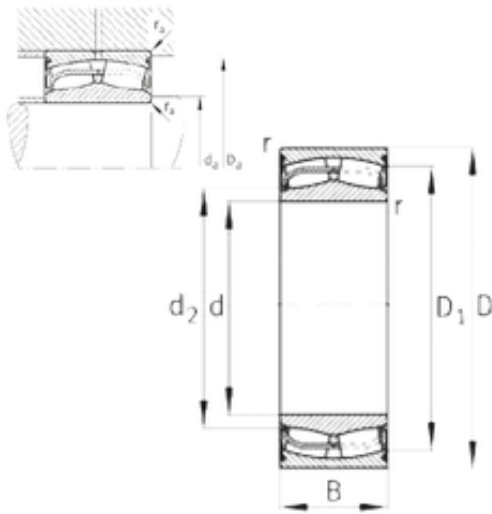




# NTN DRIVESHAFT ANDERSON, INC.

120 mm x 200 mm x 80 mm FAG  
24124-E1-2VSR-H40 spherical roller bearings



Bearing No. 24124-E1-2VSR-H40

Size	120x200x80 mm
Bore Diameter	120 mm
Outer Diameter	200 mm
Width	80 mm
d	120 mm
D	200 mm
B	80 mm
C	80 mm
d2	131,1 mm
r min.	2 mm
D1	184,5 mm
da min.	131 mm
Da max.	189 mm
ra max.	2 mm
Weight	10,4 Kg
Basic dynamic load rating (C)	680 kN
Basic static load rating (C0)	950 kN
Fatigue load limit (Pu)	101
Limiting speed	740 r/min
Calculation factor (e)	0,37
Calculation factor (Y0)	1,8
Calculation factor (Y1)	1,84

24124-E1-2VSR-H40 Bearing 2D drawings and 3D CAD models