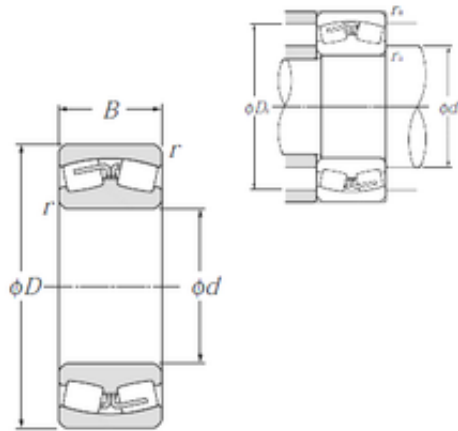




# NTN DRIVESHAFT ANDERSON, INC.

## 30 mm x 62 mm x 20 mm NTN 22206C spherical roller bearings



Bearing No. 22206C

Size	30x62x20 mm
Bore Diameter	30 mm
Outer Diameter	62 mm
Width	20 mm
d	30 mm
D	62 mm
B	20 mm
C	20 mm
r min.	1 mm
da min.	36 mm
Da max.	56 mm
ra max.	1 mm
Weight	0,287 Kg
Basic dynamic load rating (C)	49 kN
Basic static load rating (C0)	49 kN
(Grease) Lubrication Speed	7 500 r/min
(Oil) Lubrication Speed	9 500 r/min
Calculation factor (e)	0,33
Calculation factor (Y0)	2,03
Calculation factor (Y1)	2,07

22206C Bearing 2D drawings and 3D CAD models