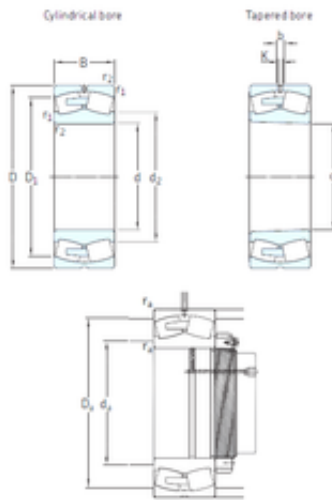




# NTN DRIVESHAFT ANDERSON, INC.



360 mm x 650 mm x 232 mm SKF  
23272CA/W33 spherical roller bearings

Bearing No. 23272CA/W33

23272CA/W33 Bearing 2D drawings and 3D CAD models

Size	360x650x232 mm
Bore Diameter	360 mm
Outer Diameter	650 mm
Width	232 mm
d	360 mm
D	650 mm
B	232 mm
C	232 mm
b	22,3 mm
d2	449 mm
r1 min.	6 mm
r2 min.	6 mm
D1	552 mm
K	12 mm
da min.	386 mm
Da max.	624 mm
ra max.	5 mm
Weight	335 Kg
Basic dynamic load rating (C)	5400 kN
Basic static load rating (C0)	8300 kN
Fatigue load limit (Pu)	570
Reference speed	530 r/min
Limiting speed	750 r/min
Calculation factor (e)	0,35
Calculation factor (Y0)	1,8



## NTN DRIVESHAFT ANDERSON, INC.

Calculation factor (Y1)	1,9
-------------------------	-----