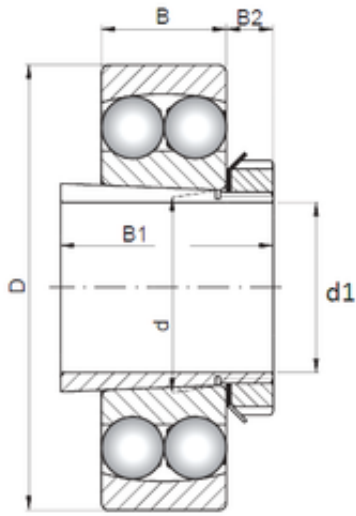




# NTN DRIVESHAFT ANDERSON, INC.



65 mm x 140 mm x 48 mm ISO 2313K+H2313  
self aligning ball bearings

Bearing No. 2313K+H2313

Size	65x140x48 mm
Bore Diameter	65 mm
Outer Diameter	140 mm
Width	48 mm
d	65 mm
d1	60 mm
D	140 mm
B	48 mm
C	48 mm
B1	65 mm
B2	14 mm

2313K+H2313 Bearing 2D drawings and 3D CAD models