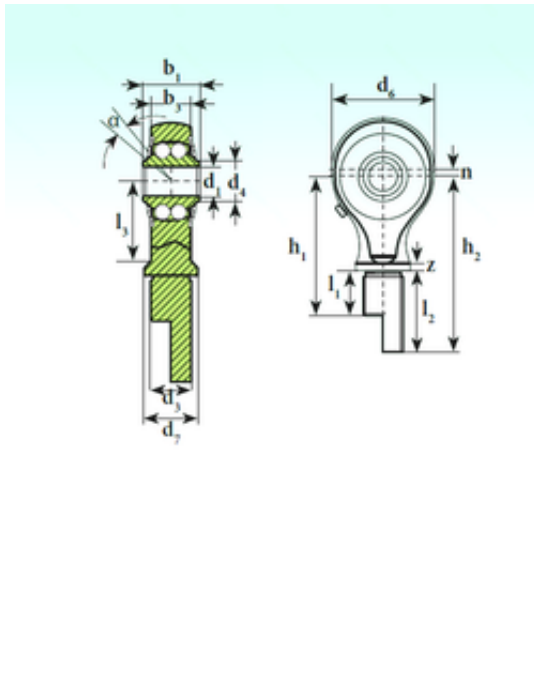




NTN DRIVESHAFT ANDERSON, INC.



TSM 12-01 BB-E Bearing 2D drawings and 3D CAD models

ISB TSM 12-01 BB-E self aligning ball bearings

Bearing No. TSM 12-01 BB-E

Bore Diameter	12 mm
d1	12 mm
d7	21 mm
Z	2,5 mm
u	3 mm
b1	20 mm
d4	15 mm
d6	40 mm
h1	65,5 mm
l1 min.	29 mm
l3 min.	31 mm
B3	14 mm
Thread (G)	M16x1,5
Angle	7,5 °
Weight	0,204 Kg
Basic dynamic load rating (C)	5,35 kN
Basic static load rating (C0)	2,06 kN
Limiting speed	1050 r/min
Calculation factor (Y)	1,81