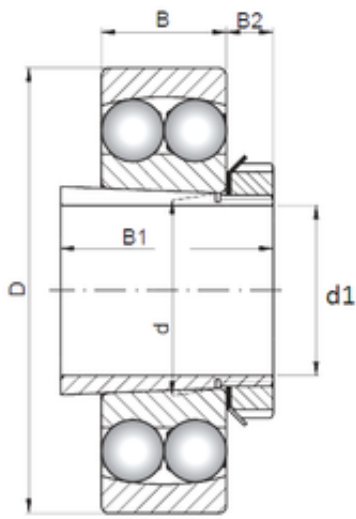




## NTN DRIVESHAFT ANDERSON, INC.



105 mm x 190 mm x 50 mm ISO 2221K+H321  
self aligning ball bearings

Bearing No. 2221K+H321

Size	105x190x50 mm
Bore Diameter	105 mm
Outer Diameter	190 mm
Width	50 mm
d	105 mm
d1	95 mm
D	190 mm
B	50 mm
C	50 mm
B1	74 mm
B2	20 mm

2221K+H321 Bearing 2D drawings and 3D CAD models