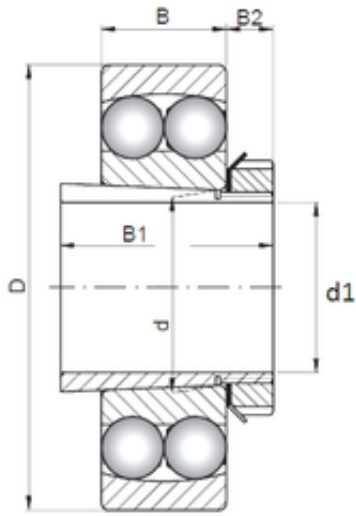




NTN DRIVESHAFT ANDERSON, INC.



60 mm x 110 mm x 28 mm ISO 2212K+H312
self aligning ball bearings

Bearing No. 2212K+H312

Size	60x110x28 mm
Bore Diameter	60 mm
Outer Diameter	110 mm
Width	28 mm
d	60 mm
d1	55 mm
D	110 mm
B	28 mm
C	28 mm
B1	47 mm
B2	13 mm

2212K+H312 Bearing 2D drawings and 3D CAD models