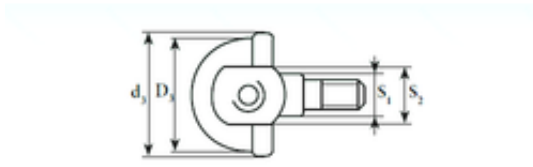
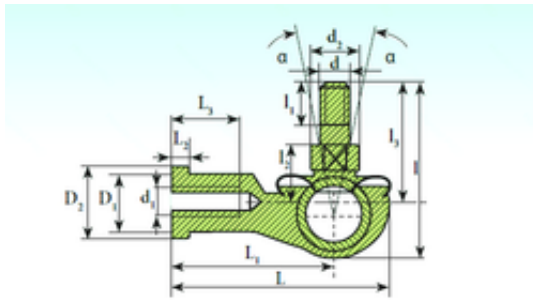




# NTN DRIVESHAFT ANDERSON, INC.



## ISB SQL 16 C RS-1 plain bearings

Bearing No. SQL 16 C RS-1

d	16 mm
S1	19 mm
L2	8 mm
L3	32 mm
l	85,5 mm
d2	22 mm
d3	44 mm
l1 min.	29 mm
l2 max.	23,5 mm
l3 min.	66 mm
D1	22 mm
D2	27 mm
D3	39 mm
L	84 mm
L1	64 mm
S2	22 mm
Thread (G)	M16x2
Angle	20 °
Weight	0,336 Kg
Basic dynamic load rating (C)	16 kN

SQL 16 C RS-1 Bearing 2D drawings and 3D CAD models