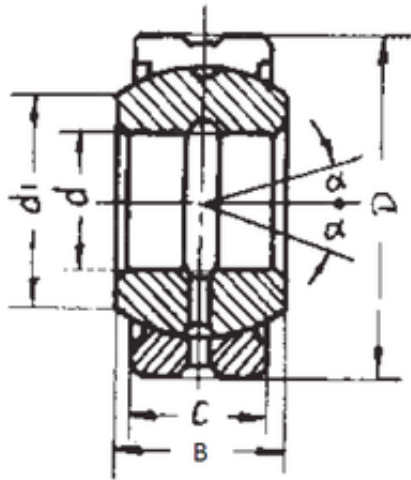




NTN DRIVESHAFT ANDERSON, INC.



100 mm x 160 mm x 85 mm FBJ
GEG100ES-2RS plain bearings

Bearing No. GEG100ES-2RS

Size	100x160x85 mm
Bore Diameter	100 mm
Outer Diameter	160 mm
Width	85 mm
d	100 mm
D	160 mm
B	85 mm
C	55 mm
d1	110 mm
Angle	14 °
Weight	6,05 Kg
Basic dynamic load rating (C)	655 kN

GEG100ES-2RS Bearing 2D drawings and 3D CAD models