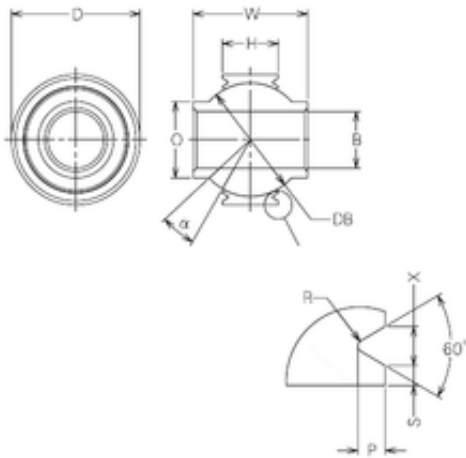




NTN DRIVESHAFT ANDERSON, INC.

16 mm x 35 mm x 16 mm NMB MBY16VCR
plain bearings



Bearing No. MBY16VCR

Size	16x35x30.5 mm
Bore Diameter	16 mm
Outer Diameter	35 mm
Width	30,5 mm
d	16 mm
D	35 mm
B	30,5 mm
C	14 mm
P	1 mm
Db	31,8 mm
X	1,4 mm
O	21,5 mm
B	16 mm
D	35 mm
H	14 mm
R	0,5 mm
S	0,7 mm
W	30,5 mm
Angle	21 °
Weight	120 Kg
Static load rating radial (C0)	228,49 kN

MBY16VCR Bearing 2D drawings and 3D CAD models