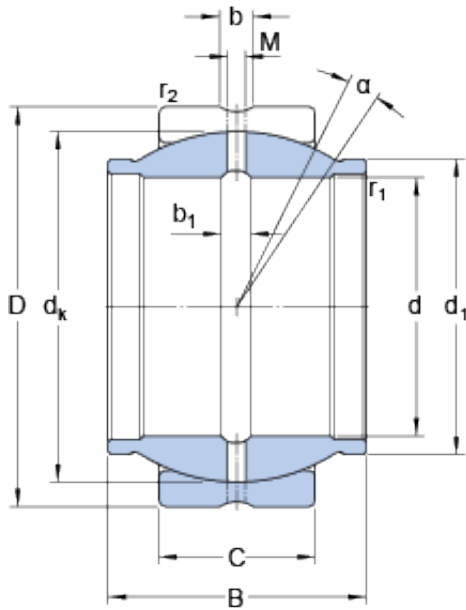




# NTN DRIVESHAFT ANDERSON, INC.



GEG 20 ES Bearing 2D drawings and 3D CAD models

20 mm x 35 mm x 20 mm SKF GEG 20 ES plain bearings

Bearing No. GEG 20 ES

Size	35x20x20 mm
Bore Diameter	35 mm
Outer Diameter	20 mm
Width	20 mm
d	20 mm
D	35 mm
B	20 mm
C	12 mm
	4 °
d <sub>k</sub>	29 mm
d <sub>1</sub>	25 mm
b	3.1 mm
b <sub>1</sub>	3.1 mm
M	2 mm
r <sub>1</sub> - min.	0.3 mm
r <sub>2</sub> - min.	0.3 mm
d <sub>a</sub> - min.	23.1 mm
d <sub>a</sub> - max.	25 mm
D <sub>a</sub> - min.	27.6 mm
D <sub>a</sub> - max.	33.2 mm
r <sub>a</sub> - max.	0.3 mm
r <sub>b</sub> - max.	0.3 mm
Basic dynamic load rating - C	30 kN
Basic static load rating - C <sub>0</sub>	146 kN



## NTN DRIVESHAFT ANDERSON, INC.

Specific factor dynamic load - K	100 N/mm <sup>2</sup>
Specific factor static load - K <sub>0</sub>	500 N/mm <sup>2</sup>
Constant - K <sub>M</sub>	330
Category	Spherical Plain Bearings - Radial
Inventory	0.0
Manufacturer Name	SKF
Minimum Buy Quantity	N/A
Weight / Kilogram	0.073
EAN	7316577105165
Product Group	B04264
Self Aligning	Yes
Rolling Element	Spherical Plain
Material - Outer Member	Steel
Material - Ball	Steel
Material - Liner	Not Applicable
Relubricatable	Yes
Enclosure	Open
Other Features	2 Piece   Extended Inner Ring on Both Sides   Lubrication Hole and an Annular Groove in Both Rings
Long Description	20MM Bore; 12MM Housing Width; 35MM Outside Diameter; Spherical Plain; Steel Outer Member; Steel Ball; No Liner; 20MM Overall Width; Relubricatable
Inch - Metric	Metric
Category	Plain Bearings Spherical Radial
UNSPSC	31171515



## NTN DRIVESHAFT ANDERSON, INC.

Harmonized Tariff Code	8483.30.80.70
Noun	Bearing
Keyword 3	Spherical
Keyword String	Plain Spherical Radial
Manufacturer URL	<a href="http://www.skf.com">http://www.skf.com</a>
Manufacturer Item Number	GEG 20 ES
Weight / LBS	0.154
Overall Width	0.787 Inch   20 Millimeter
Outside Diameter	1.378 Inch   35 Millimeter
Bore	0.787 Inch   20 Millimeter
Housing Width	0.472 Inch   12 Millimeter
bore diameter:	20 mm
inner ring material:	Steel
outside diameter:	35 mm
outer ring width:	12 mm
misalignment angle:	4 °
overall width:	20 mm
inner ring width:	20 mm
radial static load capacity:	146 kN
bearing type:	Radial
radial dynamic load capacity:	30 kN
lubrication type:	Requires Lubrication
operating temperature range:	-50 to +200 ° C ° F
closure type:	Open
manufacturer upc number:	7316577105165
outer ring material:	Steel
Lubricant	Regular relubrication – grease
Design (sliding contact surface combination)	Steel/steel
Sealing solution	-



## NTN DRIVESHAFT ANDERSON, INC.

	4 °
$d_k$	29 mm
$d_1$	25 mm
$b_1$	3.1 mm
$r_1$ min.	0.3 mm
$r_2$ min.	0.3 mm
$d_a$ min.	23.1 mm
$d_a$ max.	25 mm
$D_a$ min.	27.6 mm
$D_a$ max.	33.2 mm
$r_a$ max.	0.3 mm
$r_b$ max.	0.3 mm
Basic dynamic load rating C	30 kN
Basic static load rating $C_0$	146 kN
Specific dynamic load factor K	100 N/mm <sup>2</sup>
Specific static load factor $K_0$	500 N/mm <sup>2</sup>
Material constant $K_M$	330
Mass plain bearing	0.07 kg