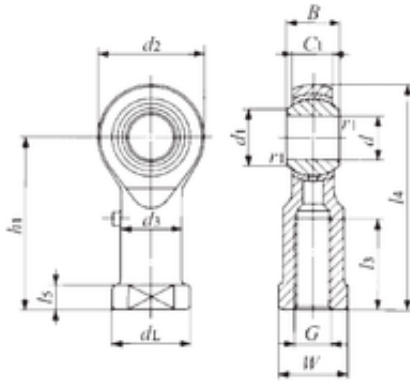




NTN DRIVESHAFT ANDERSON, INC.

IKO PHS 14 plain bearings



PHS 14 Bearing 2D drawings and 3D CAD models

Bearing No. PHS 14

Bore Diameter	14 mm
d	14 mm
L4	74 mm
L5	8 mm
dL	25 mm
L3	27 mm
d1	16,9 mm
d2	34 mm
d3	20 mm
dk	25,400 / mm
h1	57 mm
r1 min.	0,2 mm
B	19 mm
C1	13,5 mm
W	22 mm
Thread (G)	M14 × 2
Weight	0,16 Kg
Basic dynamic load rating (C)	16,8 kN