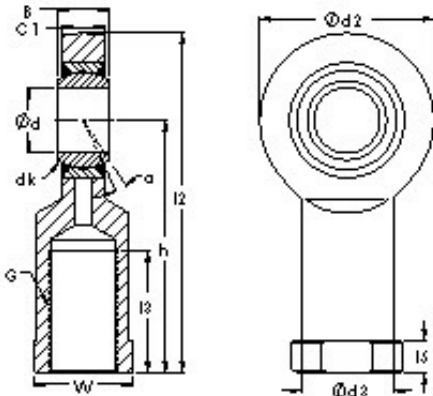




NTN DRIVESHAFT ANDERSON, INC.



AST SI6C plain bearings

Bearing No. SI6C

Bore Diameter	6 mm
Width	6 mm
Bearing Type - steel-on-PTFE composite	steel on PTFE composite
Bore Dia (d)	6.0000
Width (B)	6.0000
Radius (min) (rs)	0.300
Dynamic Load Rating (Cr)	3,600
Static Load Rating (Cor)	8,100
Spherical Diameter (dk or Dk)	10.000
Mis-alignment Angle (a deg.)	13
Thread Length (l1)	11.000
Bore Center to End of Rod (h)	30.000
Rod Overall Length (l2)	40.500
Rod End Thickness (C1)	4.500
Bore Center to Body (l7)	12
Thread Size (G)	M6
Rod End Width (d2)	21.000
Body Dia. (d3)	11.000
Body End Dia. (d4)	13.000
Body End Width (l5)	5.000
Body End Flats (W)	11.000
Weight (g)	21.00
Material - Body - Carbon steel-zinc plated, Ball -	PTFE composite material

SI6C Bearing 2D drawings and 3D CAD models



NTN DRIVESHAFT ANDERSON, INC.

Hardened chrome steel- chrome plated, Liner	
--	--