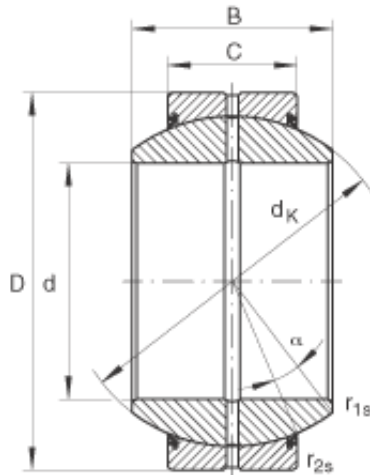




NTN DRIVESHAFT ANDERSON, INC.



INA GE35-FO-2RS plain bearings

Bearing No. GE35-FO-2RS

Size	35x62x35 mm
Bore Diameter	35 mm
Outer Diameter	62 mm
Width	35 mm
C	22 mm
$D_{a \min}$	51 mm
$d_{a \max}$	39,7 mm
d_K	53 mm
$r_{1s \min}$	0,6 mm
$r_{2s \min}$	1 mm
alf (°)	16
Weight (kg)	0,38
C_r (N)	99100
C_{0r} (N)	496000
Category	Spherical Plain Bearings - Radial
Inventory	0.0
Manufacturer Name	SCHAEFFLER GROUP
Minimum Buy Quantity	N/A
Weight / Kilogram	0.472
Product Group	B04264
Self Aligning	Yes
Rolling Element	Spherical Plain
Material - Outer Member	Steel
Material - Ball	Steel
Material - Liner	Not Applicable

GE35-FO-2RS Bearing 2D drawings and 3D CAD models



NTN DRIVESHAFT ANDERSON, INC.

Relubricatable	Yes
Enclosure	2 Seals
Other Features	2 Piece Single Axial Split in Outer Ring Wide Inner Ring with Increased Tilting Angle
Long Description	35MM Bore; 22MM Housing Width; 62MM Outside Diameter; Spherical Plain; Steel Outer Member; Steel Ball; No Liner; 35MM Overall Width; Relubricatable
Inch - Metric	Metric
Category	Plain Bearings Spherical Radial
UNSPSC	31171515
Harmonized Tariff Code	8483.30.80.70
Noun	Bearing
Keyword 3	Spherical
Keyword String	Plain Spherical Radial
Manufacturer URL	http://www.ina.com
Manufacturer Item Number	GE35FO2RS
Weight / LBS	0.86
Housing Width	0.866 Inch 22 Millimeter
Bore	1.378 Inch 35 Millimeter
Overall Width	1.378 Inch 35 Millimeter
Outside Diameter	2.441 Inch 62 Millimeter