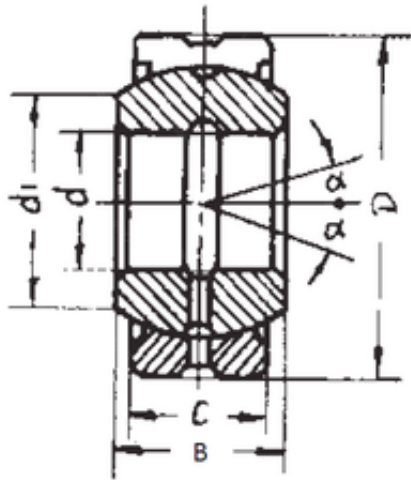




# NTN DRIVESHAFT ANDERSON, INC.



110 mm x 180 mm x 100 mm FBJ  
GEG110ES-2RS plain bearings

Bearing No. GEG110ES-2RS

Size	110x180x100 mm
Bore Diameter	110 mm
Outer Diameter	180 mm
Width	100 mm
d	110 mm
D	180 mm
B	100 mm
C	70 mm
d1	122 mm
Angle	12 °
Weight	9,68 Kg
Basic dynamic load rating (C)	950 kN

GEG110ES-2RS Bearing 2D drawings and 3D CAD models