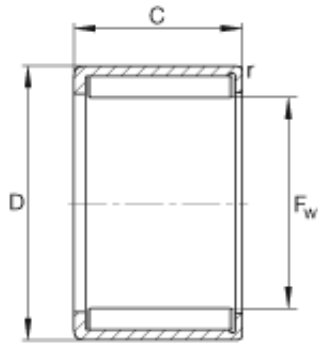




NTN DRIVESHAFT ANDERSON, INC.



INA HN1010 needle roller bearings

Bearing No. HN1010

Size	10x14x10 mm
Bore Diameter	10 mm
Outer Diameter	14 mm
Width	10 mm
F_w	10 mm
D	14 mm
C - 10 mm / Tolerance: -0,3	10 mm / Tolerance: 0,3
r_{min}	0,4 mm
m	4,6 g / Weight
C_r	7200 N / Dynamic load rating (radial)
C_{Or}	11100 N / Static load rating (radial)
C_{ur}	1540 N / Fatigue limit load, radial
n_G	13900 1/min / Limiting speed
n_B	13300 1/min / Reference speed
	LR7X10X10,5 / Suitable inner ring
	IR7X10X10,5 / Suitable inner ring

HN1010 Bearing 2D drawings and 3D CAD models