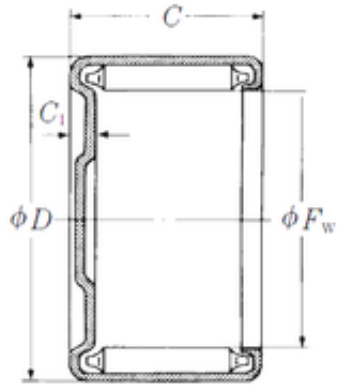




# NTN DRIVESHAFT ANDERSON, INC.

## NSK M-14121 needle roller bearings



Bearing No. M-14121

Size	22.225x28.575x19.05 mm
Bore Diameter	22,225 mm
Outer Diameter	28,575 mm
Width	19,05 mm
Fw	22,225 mm
D	28,575 mm
C	19,05 mm
C2	2,3 mm
Weight	0,033 Kg
Basic dynamic load rating (C)	22,9 kN

M-14121 Bearing 2D drawings and 3D CAD models