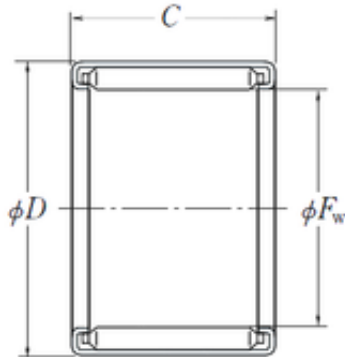




NTN DRIVESHAFT ANDERSON, INC.

NSK F-4520 needle roller bearings



Bearing No. F-4520

Size	45x52x20 mm
Bore Diameter	45 mm
Outer Diameter	52 mm
Width	20 mm
Fw	45 mm
D	52 mm
C	20 mm
Weight	0,067 Kg
Basic dynamic load rating (C)	35 kN
(Grease) Lubrication Speed	1600 r/min
NB-DI	0
NA-DEX	50.357
hidYobi	F-4520
LangID	1
D_	52
NC-SLR	18.03
B_	20.5
n_yobi	FIR-404520
hidTable	ecat_NSDCNR
mass_k	67
d1	40
GRS rpm	1600
ra	0.6
NC-SLR1	0
C0	91.637
C1	20

F-4520 Bearing 2D drawings and 3D CAD models



NTN DRIVESHAFT ANDERSON, INC.

Prod_Type3	NRB_DC_F-MF_FC_OT
da	44
d	40
NC-RAC	0
Pmax	38500
N-SDM	0
yobi	F-4520
C1_C2	2.5
ND-Z	0
OIL rpm	2600
NC-DA	2.672
N-KBRG	8200
NC-KMS	56
B1	20.5