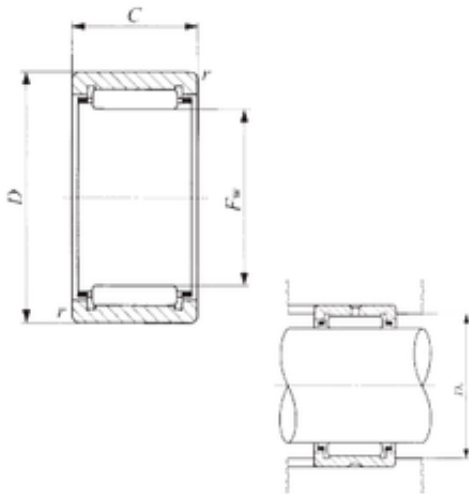




NTN DRIVESHAFT ANDERSON, INC.

IKO TAF 101716/SG needle roller bearings

Bearing No. TAF 101716/SG



TAF 101716/SG Bearing 2D drawings and 3D CAD models

Size	10x17x16 mm
Bore Diameter	10 mm
Outer Diameter	17 mm
Width	16 mm
Fw	10 mm
D	17 mm
C	16 mm
r min.	0,2 mm
Da max.	15,4 mm
Weight	0,0147 Kg
Basic dynamic load rating (C)	8,23 kN