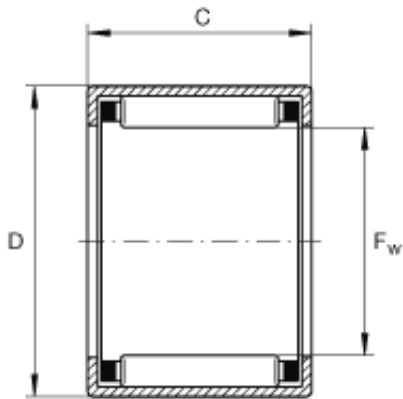




NTN DRIVESHAFT ANDERSON, INC.



INA SCE107-1/2 needle roller bearings

Bearing No. SCE107-1/2

SCE107-1/2 Bearing 2D drawings and 3D CAD models

Size	15.875x20.638x11.91 mm
Bore Diameter	15,875 mm
Outer Diameter	20,638 mm
Width	11,91 mm
F _w	5/8 inch
F _w	15,875 mm
D	0,813 inch
D	20,638 mm
C	0,469 inch
C	11,91 mm
m	0,018 lbs / Weight
m	8 g / Weight
C _r	1600 lbf / Dynamic load rating (radial)
C _r	7100 N / Dynamic load rating (radial)
C _{0r}	2320 lbf / Static load rating (radial)
C _{0r}	10300 N / Static load rating (radial)
n _G	16000 1/min / Limiting speed
n _B	11200 1/min / Reference speed
Category	Needle Non Thrust Roller Bearings
Inventory	0.0
Manufacturer Name	SCHAEFFLER GROUP



NTN DRIVESHAFT ANDERSON, INC.

Minimum Buy Quantity	N/A
Weight / Kilogram	0.01
EAN	4054364122027
Product Group	B04144
Rolling Element	Needle Roller Bearing
Component	Roller Assembly with Outer Ring - No Inner Ring
Enclosure	Open
Self Aligning	No
Retainer	Yes
Number of Rows of Rollers	Single Row
Separable	No
Closed End	No
Inch - Metric	Inch
Relubricatable	No
Thrust Bearing	No
Long Description	5/8" Bore; 13/16" Outside Diameter; 15/32" Width; Needle Roller Bearing; Roller Assembly with Outer Ring - No Inner Ring; Open Enclosure; No Self Aligning; Yes Retainer; Single Row of R
Other Features	2 Rib Outer Ring Drawn Cup Bearing Steel Cage
Category	Needle Non Thrust Roller Bearing
UNSPSC	31171512
Harmonized Tariff Code	8482.40.00.00
Noun	Bearing
Keyword String	Needle
Manufacturer URL	http://www.ina.com
Manufacturer Item Number	SCE107-1/2
Weight / LBS	0.018



NTN DRIVESHAFT ANDERSON, INC.

Width	0.469 Inch 11.913 Millimeter
Outside Diameter	0.813 Inch 20.65 Millimeter
Bore	0.625 Inch 15.875 Millimeter