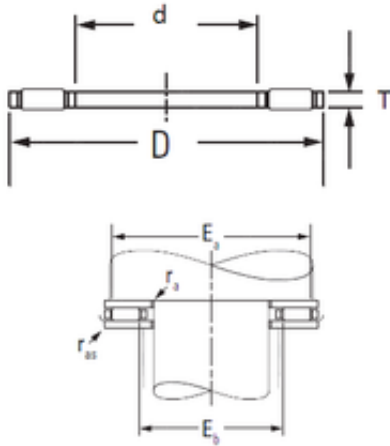




NTN DRIVESHAFT ANDERSON, INC.

KOYO AXK3552 needle roller bearings



Bearing No. AXK3552

Size	35x52x2 mm
Bore Diameter	35 mm
Outer Diameter	52 mm
Width	2 mm
d	35 mm
D	52 mm
T	2 mm
ra max.	0.6 mm
Ea	51.0 mm
Eb	40.0 mm
Weight	0.010 Kg
Basic dynamic load rating (C)	17.4 kN
Basic static load rating (C0)	79.5 kN
Category	Thrust Roller Bearing
Inventory	0.0
Manufacturer Name	KOYO
Minimum Buy Quantity	N/A
Weight / Kilogram	0.008
EAN	0605790210853
Product Group	B04144
Rolling Element	Needle Roller Bearing
Self Aligning	No
Component Description	Roller Assembly Only
Thrust Bearing	Yes
Single or Double Direction	Single Direction
Banded	No

AXK3552 Bearing 2D drawings and 3D CAD models



NTN DRIVESHAFT ANDERSON, INC.

Cage Material	Steel
Precision Class	ABEC 1 ISO P0
Other Features	Single Row One Piece Cage
Long Description	35MM Bore 1; 35MM Bore 2; 52MM Outside Diameter; 2MM Height; Needle Roller Bearing; Single Direction; Not Self Aligning; Not Banded; Steel Cage; ABEC 1 ISO P0; Roller Assembly Only
Inch - Metric	Metric
Category	Thrust Roller Bearings
UNSPSC	31171500
Harmonized Tariff Code	8482.99.25.40
Noun	Roller Assembly
Keyword String	Thrust Needle
Manufacturer URL	http://www.koyousa.com
Manufacturer Item Number	AXK3552
Weight / LBS	0.022
Bore 2	1.378 Inch 35 Millimeter
Overall Height with Aligning Washer	0 Inch 0 Millimeter
Height	0.079 Inch 2 Millimeter
Bore 1	1.378 Inch 35 Millimeter
Outside Diameter	2.047 Inch 52 Millimeter
Bearing No.	AXK3552
Dc1	35
Dc	52
Dw	2
Ca	17.4
C0a	79.5
Cu	7.70
Oil lub.	8100



NTN DRIVESHAFT ANDERSON, INC.

ra(max)	0.6
(Refer.) Mass(kg)	0.010
D,d1	52
D1	37
h1	1.00 mm
Washer designation	AS3552
(Refer.) Mass(kg)	0.009
h	3.50 mm
a	1.00 mm
Washer designation	LS3552
(Refer.) Mass(kg)	0.030
h	3.50 mm
rs(min)	0.60
Washer designation Shaft piloted	WS.81107
Washer designation Housing piloted	GS.81107
(Refer.) Mass(kg)	0.032