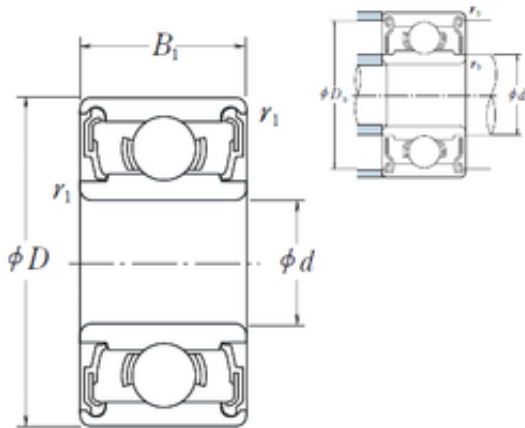




NTN DRIVESHAFT ANDERSON, INC.



6 mm x 12 mm x 4 mm NSK MR 126 DD deep groove ball bearings

Bearing No. MR 126 DD

Size	6x12x4 mm
Bore Diameter	6 mm
Outer Diameter	12 mm
Width	4 mm
d	6 mm
D	12 mm
B	4 mm
C	4 mm
r min.	0,15 mm
db max.	7,2 mm
Db min.	10,9 mm
rb max.	0,15 mm
Weight	0,00174 Kg
Basic dynamic load rating (C)	0,715 kN
Basic static load rating (C0)	0,292 kN

MR 126 DD Bearing 2D drawings and 3D CAD models