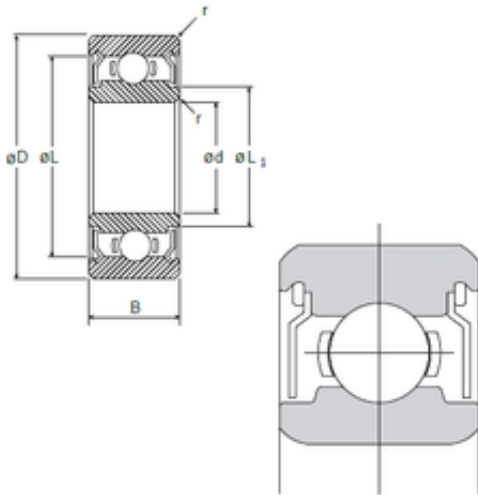




# NTN DRIVESHAFT ANDERSON, INC.



3,175 mm x 9,525 mm x 3,967 mm NMB R-2ZZ  
deep groove ball bearings

Bearing No. R-2ZZ

Size	3.175x9.525x3.967 mm
Bore Diameter	3,175 mm
Outer Diameter	9,525 mm
Width	3,967 mm
d	3,175 mm
D	9,525 mm
B	3,967 mm
C	3,967 mm
r min.	0,3 mm
L	0,322 mm
L1	0,2 mm
Basic dynamic load rating (C)	0,641 kN

R-2ZZ Bearing 2D drawings and 3D CAD models