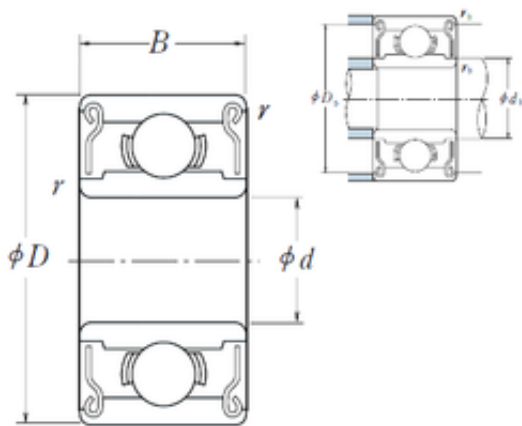




# NTN DRIVESHAFT ANDERSON, INC.

1,191 mm x 3,967 mm x 2,38 mm NSK R 0 ZZ  
deep groove ball bearings



Bearing No. R 0 ZZ

Size	1.191x3.967x2.38 mm
Bore Diameter	1,191 mm
Outer Diameter	3,967 mm
Width	2,38 mm
d	1,191 mm
D	3,967 mm
B	2,38 mm
C	2,38 mm
r min.	0,1 mm
db max.	1,9 mm
Db min.	3,5 mm
rb max.	0,1 mm
Weight	0,00011 Kg
Basic dynamic load rating (C)	0,138 kN
Basic static load rating (C0)	0,035 kN

R 0 ZZ Bearing 2D drawings and 3D CAD models